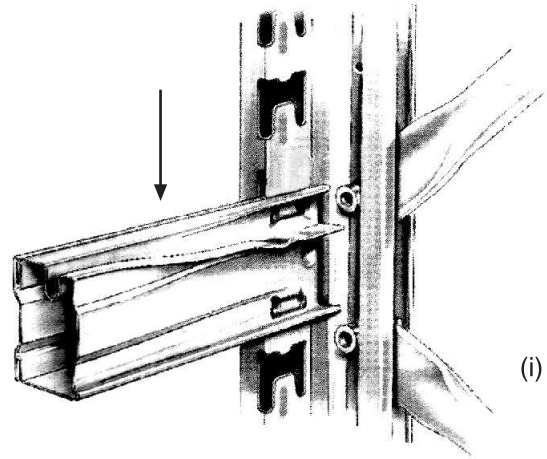


# Assembly Instructions

## Safety

It is recommended that gloves be worn during assembly.



## Tools required

Light hammer

## Assembly Sequence

Decide on the height required for the first beam level (within 700mm of floor) and firmly locate the beam eyelet (i) onto the lugs in the frame upright.

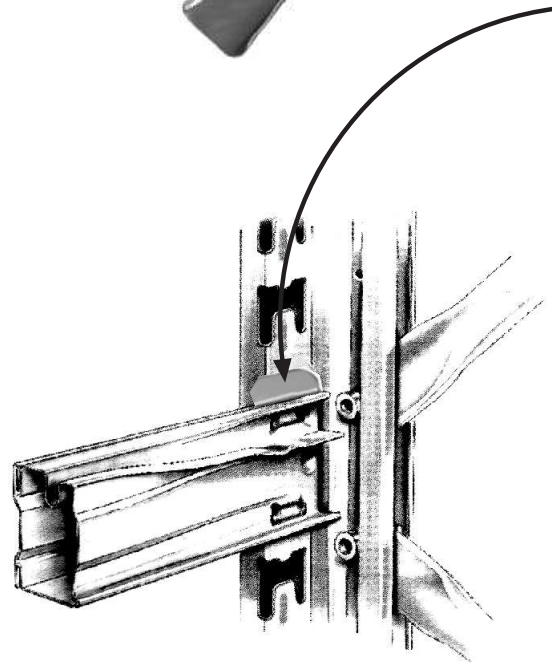
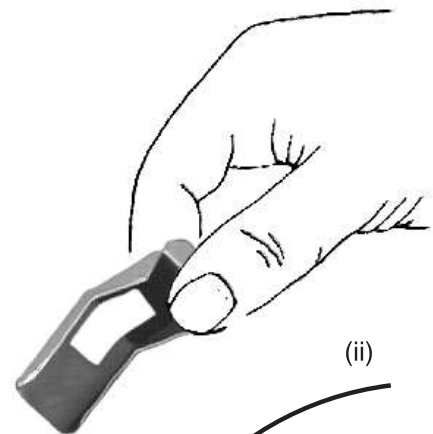
Care should be taken to ensure that the beam eyelets are located correctly avoiding separation of the laminations.

Lightly tap the beam into position (using a light hammer).

Insert the tail of the beam security pin (ii) into the opening directly above the beam. (iii)

Repeat the above sequence for each beam level.

Engage the shelf flange in the front and back beam groove and drop into position.



(iii)